


**Special Features**

- Rust free design (excellent for corrosive environment )
- Ideal for HVAC & pharmaceutical industry
- Economical version

**Application**

- Water
- Air
- Refrigerant gas
- HVAC

**Specifications**
**Standard Version : 100 mm**

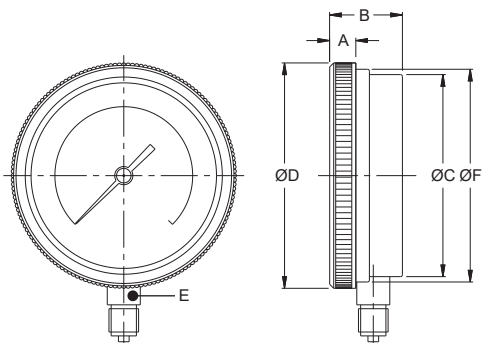
Accuracy	:	±1.6% of F. S.
Ambient temperature	:	- 20°C to + 65°C
Process temperature	:	Max. 60°C
Operating pressure range	:	75 % of Scale Value
Over pressure limit	:	≤ 100 bar : 125% of Max. Scale Value
	:	> 100 to ≤ 600 bar : 115% of Max. Scale Value
	:	> 600 to ≤ 1600 bar : 110% of Max. Scale Value

Case & Bezel	:	Plastic [Threaded]
Socket	:	Copper Alloy
Bourdon	:	Copper Alloy upto 70 kg/cm <sup>2</sup>
	:	AISI 316L for above 70 kg/cm <sup>2</sup>
Movement	:	Copper Alloy
Process Connection	:	3/8" BSP (M)
Joints	:	Alloy Brazing / Soldering

Dial	:	Aluminum, black graduation on white background
Pointer	:	Aluminum, Black coloured, Fixed
Window	:	Sheet Glass

**Temperature effect :**

The variation of indication caused by effects of temperature is to be calculated by below formula; which is to be added in the specified accuracy while measurement :- Formula :  $\pm 0.04 \times (t_2 - t_1) \% \text{ of F. S.}$  where  $t_1$  = reference temperature (+20°C) and  $t_2$  = ambient temperature in °C.

**Dimensions - standard version**

**TYPE 2**

NS	A	B	ØC	ØF	ØD	E	Weight in gram (With Box)
100	13	37.5	104	109.5	116	SQ. 17	300.0

- Notes :
- Drawings are not to scale.
  - All Dimensions are in mm.
  - NS = Nominal Size.

**Range Table**

Note : We offer Pressure, Vacuum and Compound ranges in Scales like kPa, MPa, bar, psi, kg/cm<sup>2</sup> & Dual Scale like kPa with psi, kPa with bar, bar with psi or scales as per the requirement can be provided on request. Following are the example tables for kg/cm<sup>2</sup> & psi scales

**Pressure, Vacuum & Compound Ranges**

 Range (psi with kg/cm<sup>2</sup>)

psi	kg/cm <sup>2</sup>	psi	kg/cm <sup>2</sup>	psi	kg/cm <sup>2</sup>
-30 inHg / 0	-760 mmHg / 0	0/500	0/35	- 30inHg/15	- 1 to 1
0/15	0/1	0/600	0/42	- 30inHg/30	- 1 to 2
0/30	0/2	0/1000	0/70	- 30inHg/60	- 1 to 4
0/60	0/4	0/1500	0/100	- 30inHg/100	- 1 to 7
0/100	0/7	0/2200	0/160	- 30inHg/150	- 1 to 10
0/150	0/10	0/3000	0/200	- 30inHg/200	- 1 to 14
0/220	0/16	0/3500	0/250	- 30inHg/300	- 1 to 20
0/300	0/20	0/4000	0/280		
0/350	0/25	0/5000	0/350		
0/400	0/28	0/6000	0/400		

**Freon (With temperature scale)**

Note : For temperature scales, please provide refrigerant name.

**Dual scale ( Inch Hg to psi )**

Dual scale ( Inch Hg to psi )		Accessories (Refer datasheet for complete specifications)			
Range	Range	EC	Gauge cock	EG	Snubber
-30/150	0-300	*	Needle valve	EH	Siphon
-30/300	0-500	* Refer catalogue for Valves & Manifolds			

**How To Order**
**Example**
**Basic Model**
**Code**
**Nominal Size**
**Type of Mounting**

2 Direct bottom Entry

**Gauge Connection**
**2BM** 1/4" BSP (M) (Standard)

**3NM** 3/8" NPT (M)

**2NM** 1/4" NPT (M) (Standard)

**3BM** 3/8" BSP (M)

Note : Connections like Metric/ PT/ PF/ Flaired/ UNF/ G/ R, BSPT, NPT etc can be provided on request.

**Range**

Refer range table

**Optional Extras**
**FK** Integral dampening screw (brass)

**SL** Zero adjustable pointer

**RH** Custom designed dial

**PW** Five point calibration certificate

**TB** Helium leak test

**ZC** Freon range (with temperature scale)

**RW** Plexi glass

**SX** SS tag plate

**SW** Dial tag marking

**Ordering Example: BD - X - X - XXX - 0/10 kg/cm<sup>2</sup> - XX**

For other optional items, please contact factory for delivery and minimum quantity of order.

Note : Specifications and dimensions given in this product catalogue represents the state of engineering at the time of printing .  
Modifications may take place and materials specified may be replaced by others without prior notice.